

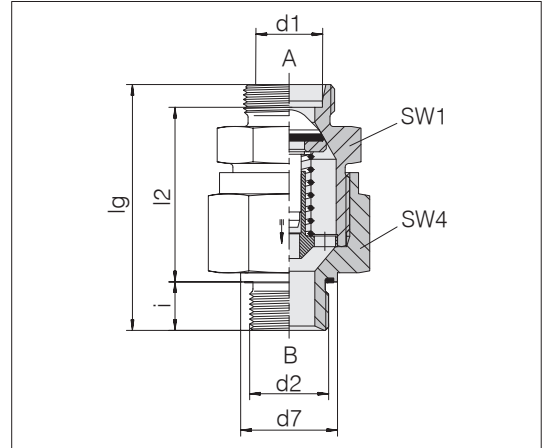
Standard non-return valves

Flow direction to threaded stud

Male thread: metric fine thread, cylindrical
 Threaded stud: ISO 9974-2 Form E
 Sealing type: Profile sealing ring PEFLEX
 Sealing material: Standard NBR

Tube coupling: 24° in acc. with ISO 8434-1

Opening pressure 1 bar



Series	d2	Pressure	lg	d7	l2	SW1	SW4	i	Nm -10 %	kg/100 ca.	Order-No.	Designation
Tube OD												
d1												
L 6	M 10 x 1	PB 250	43	13.9	28	17	17	8	15	5.7	0603302081	24-VNROTP-L6-M10E
L 8	M 12 x 1.5	PB 250	47.5	16.9	28.5	19	19	12	25	5.5	0603312081	24-VNROTP-L8-M12E
L 10	M 14 x 1.5	PB 250	57.5	18.9	38.5	22	24	12	50	10.3	0603322081	24-VNROTP-L10-M14E
L 12	M 16 x 1.5	PB 250	60	21.9	41	27	30	12	70	16.5	0603332081	24-VNROTP-L12-M16E
L 15	M 18 x 1.5	PB 250	63	23.9	44	30	32	12	90	19.9	0603342081	24-VNROTP-L15-M18E
L 18	M 22 x 1.5	PB 160	69.5	26.9	48	36	36	14	130	28.3	0603352081	24-VNROTP-L18-M22E
L 22	M 26 x 1.5	PB 160	79.5	31.9	56	41	46	16	180	47.9	0603362081	24-VNROTP-L22-M26E
L 28	M 33 x 2	PB 100	91	39.9	65.5	50	55	18	230	79.4	0603372081	24-VNROTP-L28-M33E
L 35	M 42 x 2	PB 100	102	49.9	71.5	60	65	20	330	125.8	0603382081	24-VNROTP-L35-M42E
L 42	M 48 x 2	PB 100	108.5	54.9	75.5	65	75	22	500	194.0	0603392081	24-VNROTP-L42-M48E
S 6	M 12 x 1.5	PB 630	50.5	16.9	31.5	19	19	12	50	9.3	0603402081	24-VNROTP-S6-M12E
S 8	M 14 x 1.5	PB 630	50.5	18.9	31.5	19	19	12	60	9.2	0603412081	24-VNROTP-S8-M14E
S 10	M 16 x 1.5	PB 630	57.5	21.9	38	22	24	12	80	11.8	0603422081	24-VNROTP-S10-M16E
S 12	M 18 x 1.5	PB 630	60.5	23.9	41	24	27	12	90	18.9	0603432081	24-VNROTP-S12-M18E
S 14	M 20 x 1.5	PB 630	65.5	25.9	43.5	27	32	14	130	27.9	0603442081	24-VNROTP-S14-M20E
S 16	M 22 x 1.5	PB 400	69	26.9	46.5	32	36	14	130	27.5	0603452081	24-VNROTP-S16-M22E
S 20	M 27 x 2	PB 400	78.5	31.9	52	41	46	16	200	50.3	0603462081	24-VNROTP-S20-M27E
S 25	M 33 x 2	PB 400	87	39.9	57	46	50	18	250	65.5	0603472081	24-VNROTP-S25-M33E
S 30	M 42 x 2	PB 250	99.5	49.9	66	55	60	20	500	133.8	0603482081	24-VNROTP-S30-M42E
S 38	M 48 x 2	PB 250	110.5	54.9	72.5	65	70	22	600	196.9	0603492081	24-VNROTP-S38-M48E

Test pressure PP = 1.5-fold
value in table

Example for comp. :
RH206LMEDOMD

